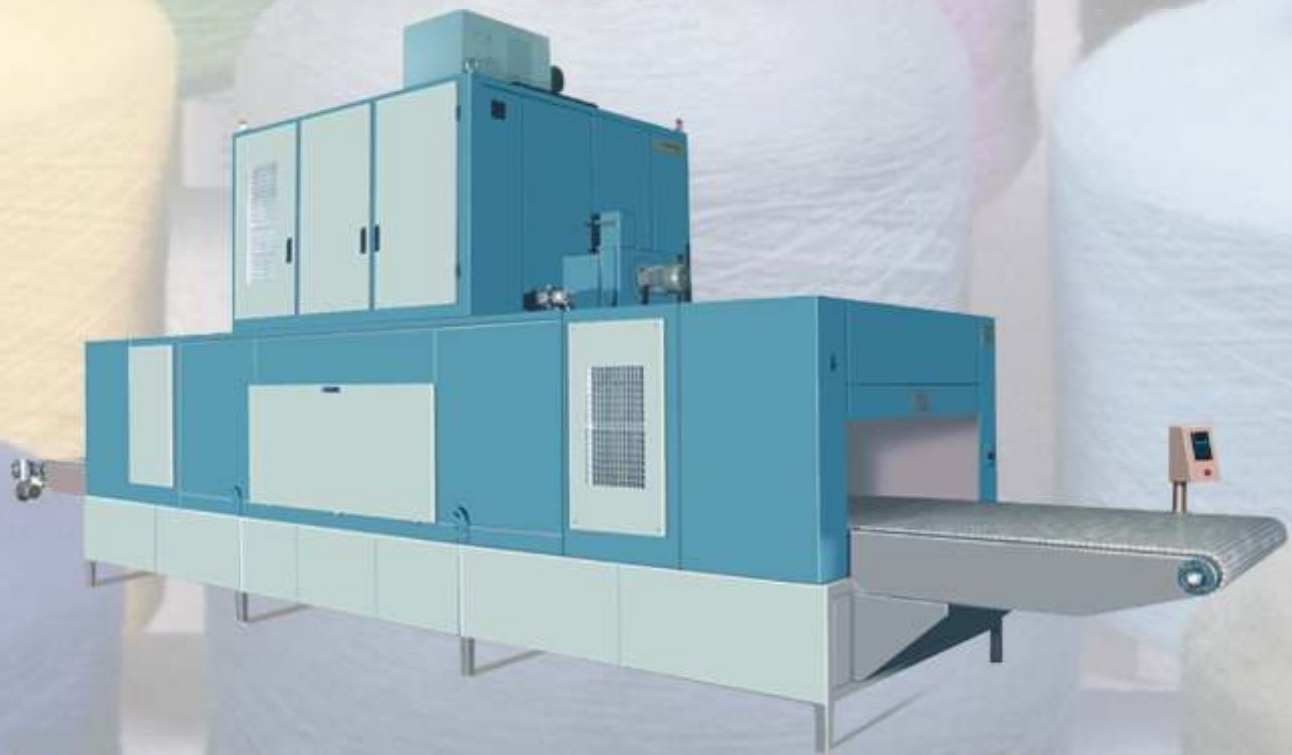


SO-40 T
Radio Frequency
Conveyorised Dryer



Monga Strayfield
Pvt.Ltd.




**AIR COOLED 40KW R F DRYER FOR HANKS,
MUFFS, TOPS, CONES, FIBRES AND CHEESES.**

SO-40T	Performance	Specifications
(Dye Spring Wound Cheese Packages)		
PRODUCT	MOISTURE	PROD. / HOUR
Polyester	14% - 2%	400 kgs.
Acrylic	15% - 2%	369 kgs.
Polymide	18% - 3%	320 kgs.
Wool/Acrylic	33% - 11%	218 kgs.
Wool	42% - 17%	192 kgs.
Poly / Cotton	30% - 5%	192 kgs.
Cotton	52% - 8%	109 kgs.
Viscose	80% - 11%	70 kgs.
Remie Cotton	29% - 12%	282 kgs.
Acrylic/Cotton	45% - 14%	155 kgs.
Angora	35% - 3%	150 kgs.
Silk	55% - 8%	102 kgs.
Rayon	75% - 11%	75 kgs

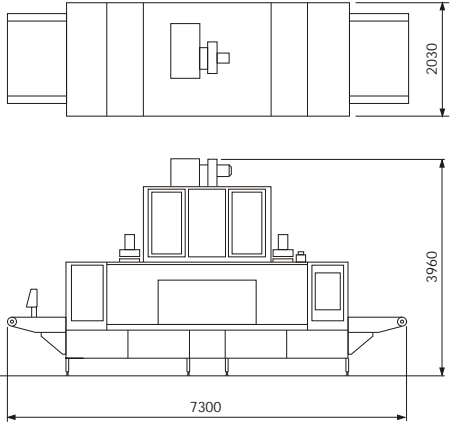
SO-40T Technical Specifications	
R F Power	40 kW
Frequency	27.12 MHz
Converting Efficiency	70% - 75%
Unit Cooling	Forced Air Cooled
Electrical Supply	410V 3ph 50Hz 0.9 Cosφ
Electrical Power	84 kW Max
Modular Conveyor	1400 mm wide

Features
IMPROVED PRODUCT QUALITY
No dye migration
No pigment contamination
Uniform drying, consistent product quality
Automatic moisture control
ENERGY SA VINGS
No warm-up time
No radiated heat loss
Lower energy cost / kg. product
ECO FRIENDL Y
No effluents and flues
Cleaner working environment
No steam required
ECONOMIC FEA SIBILITY
Rapid pay back
Synchronisation with associated in-line processes
AFTER SALES SUPPORT
Spares at shorter delivery periods
Imported spares available locally
Professional, staff trained by Strayfield Ltd.,UK



PLC Automatic Operator System

This system has the capacity to pre-set operating parameters for upto ten product menus. The most commonly used machine settings are easily entered. The operator can select the required product by the simple push of a button. Maintenance schedules and running faults are displayed with relevant circuit reference and check list, for operator to take suitable action.



Machine Dimensions in mm Nett Weight: 2800 kgs

Note : Specifications / illustrations given herein are tentative.

Monga Strayfield Pvt. Ltd.

Registered Office :
5, Arun Bazar, S. V. Road,
Malad (W), Mumbai - 400 064.
Tel.: +91(0) 22 - 2882 1334, 2882 1662
Fax : +91(0) 22 - 2889 5654
E-mail : note@vsnl.com

Works :
483/1/B, Medankarwadi, Chakan,
Tal : Khed, Dist : Pune-410 501
Tel.: +91-(0) 2135 - 253177/78
Fax : +91-(0) 2135 - 254599
Website : www.mongagroup.com

Sole Selling Agents:



101, Vardhaman Indl. Complex, Old Agra Road,
Thane - 400 601. Tel.: 00-91-22-2540 7918 / 2543 7401
Fax: 00-91-22-2541 4299 E-mail:stafi@vsnl.com
Website : www. stafinternational.com