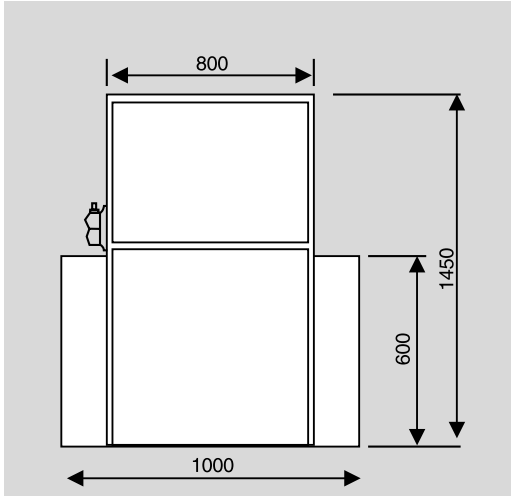


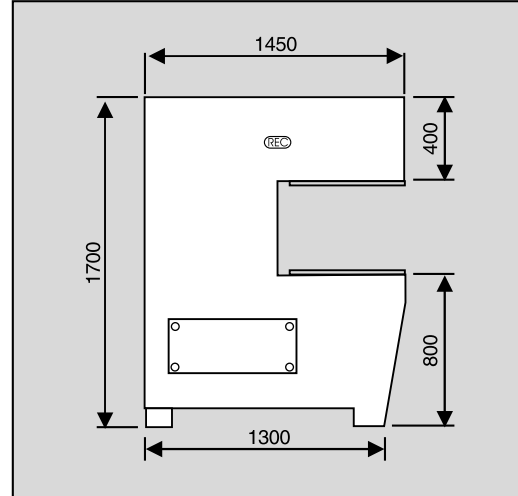
**REC<sup>®</sup>**  
**HIGH**  
**FREQUENCY**  
**PLASTIC**  
**WELDING**  
**MACHINES**



**MONGA**  
ELECTRONICS PVT. LTD.



Top View



Side View

### SALIENT FEATURES

- Top-of-the-line medium power machine for full-sized articles.
- High pressure press and RF generator in a common body occupies minimum of floor space.
- Highly efficient cavity resonator with stabilized output frequency.
- Press available in hydraulic version upon specific request.
- Constant voltage filament supply, Flash Anticipator circuit, high voltage safety lock, overload protection circuit, slow motion drive for heat control and counter available as standard features

### SPECIFICATIONS: MACHINE TYPE PN 7000

➤ Power Input	11.7 KVA At 415V 50Hz 3 phase
➤ H F Power output	7 KW
➤ Output frequency	27.12 MHz
➤ Timers	Preseal 0 - 12 secs.
	Welding 0 - 12 secs.
	Cooling 0 - 12 secs.
➤ Tubes	i) Oscillator 7T69R or eqvt.
	ii) Anticipator 5557 (Thyratron)
➤ Rectifiers Silicon type	3 - phase bridge
➤ Welding capacity consolidated on 1 mm thick clear flexible PVC	185 sq.cm/28 sq. inch
➤ Compressed air reqmt. litres /min at a pressure of 4 kgs./sq.cm.	20
➤ Welding Press Stroke	100 mm
➤ Clearance of Throat	400 mm
➤ Platen	600 X 1000 mm
➤ Unpacked wt.	850 Kg.

Represented by:



## MONGA

**ELECTRONICS PVT. LTD.**

**Regd. Office :**  
 P O Box 7616, 5, Arun Bazar,  
 S. V. Road, Malad, (W)  
 Mumbai - 400064. INDIA  
 Tel.: +91 (O) 22 8821662, 8821334  
 Fax: + 91(O) 22 8895654  
 Website: www.mongagroup.com

**Factory :**  
 Behind Post office,  
 Bhosari Industrial Estate,  
 Pune - 411 026  
 Tel.: +91 (O) 20 7120021, 7120022  
 Fax : +91 (O) 20 7122562  
 E-mail : mongagrp@vsnl.com