



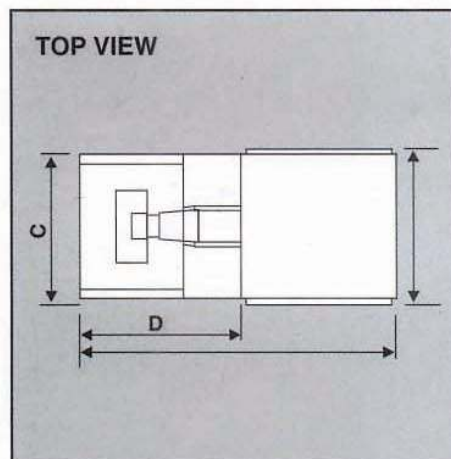
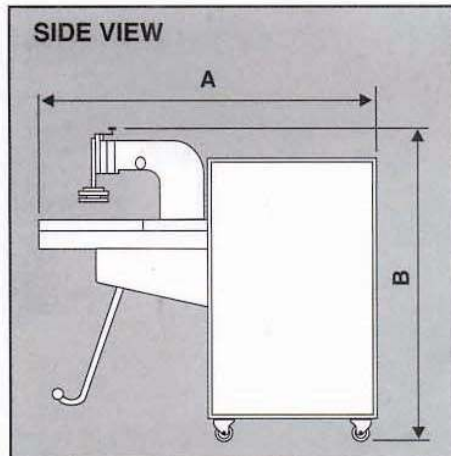
MONGA
ELECTRONICS PVT. LTD

1.5 KW
3.0 KW

J-1500 / J-3000 REC[®] HIGH FREQUENCY PLASTIC WELDING MACHINES

SALIENT FEATURES

- Highly efficient cavity resonator delivers output at stabilized frequency.
- Constant voltage filament supply increases valve life.
- Fully shielded RF circuit keeps electro magnetic interference under control.
- Foot pedal operated toggle press generates high working pressure for bigger dies.
- Light weight, compact, yet robust construction to bear industrial abuse.
- 3 KW machine is also available in pneumatic version as PN 3000.
- Shuttle tray and auto indexing option available with PN 3000.



S P E C I F I C A T I O N S		
MACHINE	J - 1500	J - 3000
Power Input	3 KVA at 240 V 50 Hz single phase	5 KVA at 415 V 50 Hz three phase
H F Power output	1.5 KW	3 KW
Output frequency	27.12 MHz	27.12 MHz
Welding Timer	0 - 12 secs.	0 - 12 secs.
Oscillator Tube	5868 or eqvt.	7T62R or eqvt.
Rectifiers Silicon type	Single Phase Bridge	Three Phase Bridge
Welding capacity consolidated on 1 mm thick clear flexible PVC	44 sq. cm. / 55 inches running length of 1/8" width	80 sq. cm. / 100 inches running length of 1/8" width
Welding Press Stroke	50 mm	50 mm
Clearance of throat	245 mm	275 mm
Platen	380 X 515 mm	430 X 700 mm
Unpacked weight	200 kg.	285 kg.
Dimensions	A : 1250 mm B : 1200 mm C : 600 mm D : 650 mm	A : 1500 mm B : 1200 mm C : 700 mm D : 700 mm

Note : Illustrations and data given herein are tentative.

MONGA ELECTRONICS PVT. LTD

Regd. Office : 5, Arun Bazar, S. V. Road,
Malad, (W) Mumbai - 400064. INDIA
Tel.: +91 (0)22 8821662, 8821334
Fax : +91 (0)22 8895654

Factory : Behind Post office,
Bhosari Industrial Estate, Pune - 411026. INDIA
Tel.: +91 (0)20 7120021, 7120022
Fax : +91 (0)20 7122562
E-mail : mongagrp@vsnl.com
Website : www.mongagroup.com

Represented by